

40 AG series

x40x10mm



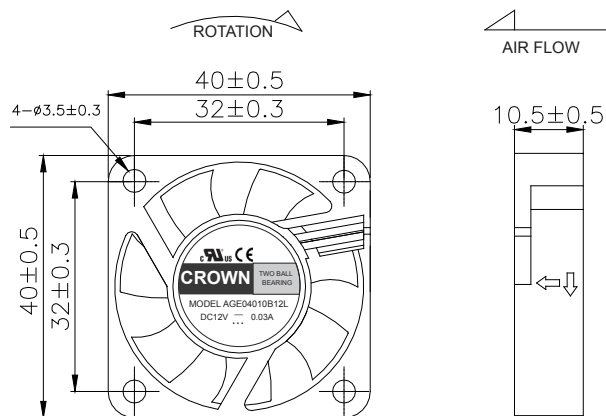
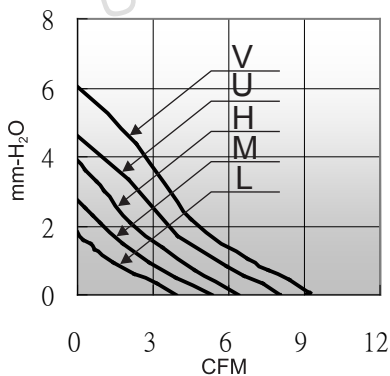
General Specifications

- Motor : 4 Poles brushless DC motor
- Frame & Impeller : Plastic(UL 94V-0)
- Storage temperature : -40° to +75°
- Operating temperature : -10° to +70°

Major Characteristic Parameters

Model	*Bearing System	Rated Voltage	Operating Voltage Range	Rated Current	Rated Speed	Maximum Air Flow		Maximum Static Pressure		Sound Level	Weight
Part NO.	B / S / F	V	V	A	RPM	m ³ /min	CFM	mm-H ₂ O	In-H ₂ O	dBA	g
AGE04010_05L	B / F/S	5	4.5~5.5	0.09	4000	0.11	3.91	1.8	0.07	21.0	20
AGE04010_12L	B / F/S	12	7.0~13.2	0.05	4000	0.11	3.91	1.8	0.07	21.0	20
AGE04010_24L	B / F/S	24	14.0~24.6	0.03	4000	0.11	3.91	1.8	0.07	21.0	20
AGE04010_05M	B / F/S	5	4.5~5.5	0.13	5000	0.15	5.30	2.7	0.11	25.0	20
AGE04010_12M	B / F/S	12	7.0~13.2	0.06	5000	0.15	5.30	2.7	0.18	25.0	20
AGE04010_24M	B / F/S	24	14.0~24.6	0.04	5000	0.15	5.30	2.7	0.18	25.0	20
AGE04010_05H	B / F/S	5	4.5~5.5	0.16	6000	0.18	6.36	3.9	0.15	29.0	20
AGE04010_12H	B / F/S	12	7.0~13.2	0.07	6000	0.18	6.36	3.9	0.15	29.0	20
AGE04010_24H	B / F/S	24	14.0~24.6	0.06	6000	0.18	6.36	3.9	0.15	29.0	20
AGE04010_05U	B / F/S	5	4.5~5.5	0.22	7000	0.22	7.92	4.6	0.18	33.0	20
AGE04010_12U	B / F/S	12	7.0~13.2	0.10	7000	0.22	7.92	4.6	0.18	33.0	20
AGE04010_24U	B / F/S	24	14.0~24.6	0.08	7000	0.22	7.92	4.6	0.18	33.0	20
AGE04010_12V	B / F/S	12	7.0~13.2	0.14	8000	0.26	9.05	6.0	0.24	38.0	20
AGE04010_24V	B / F/S	24	14.0~24.6	0.09	8000	0.26	9.05	6.0	0.24	38.0	20

*Bearing system B: Two Ball Bearing F: Fluid Bearing S: Sleeve Bearing



unit:mm